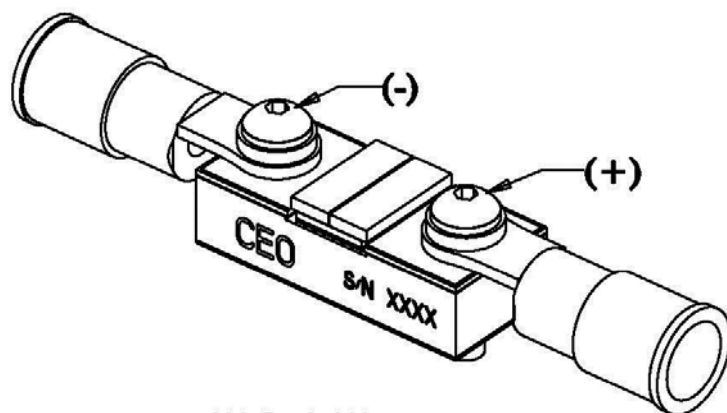


SCALE 2.000



SCALE 2.000

NORTHROP GRUMMAN

G PACKAGE MOUNTING

DIMENSIONS ARE IN INCHES AND INCLUDE
CHEMICALLY APPLIED OR PLATED FINISHES
GENERAL TOLERANCES UNLESS NOTED:
X.X = ±.1 X.XXX = ±.005
X.XX = ±.01 ANGLES - ±.5°

SIZE	A	MOUNTING-G-PACKAGE-FS
SCALE:	NONE	SHEET 1 OF 1